

NOTES:

- FOR COMPLETE RIGHT OF WAY AND ACCURATE ACCESS DATA, SEE RIGHT OF WAY RECORD MAPS AT THE COUNTY OFFICE.
- FOR UTILITY INFORMATION, SEE UTILITY SHEETS.
- ELEVATIONS ARE BASED ON NGVD OF CALIFORNIA COORDINATE SYSTEM.

LEGEND:

- DIRECTION OF TRAFFIC
- CURVE NUMBER
- PAVEMENT DELINEATION DETAIL NUMBER
- REMOVE ROADSIDE SIGN
- RELOCATE ROADSIDE SIGN
- SURVEY CONTROL POINT
- LIMITS OF RSP
- DIRECTION OF DITCH FLOW
- RIGHT OF WAY
- PROPERTY LINE

SURVEY CONTROL DATA							
No.	NORTHING	EASTING	ELEV	LINE	STATION	OFFSET	DESCRIPTION
1	1861703.04	6204767.81	565.29	"A"	21+15.46	9.35' Rt	IRON PIPE 1"
2	1861977.31	6204584.79	547.52	"A"	24+42.15	49.89' Lt	IRON PIPE 1"
3	1862270.18	6204487.16	549.68	"A"	27+54.01	7.23' Lt	IRON PIPE 1"

Dist	COUNTY	ROUTE	POST MILES TOTAL PROJECT	SHEET No.	TOTAL SHEETS
04	SCI	C.R.		3	26

REGISTERED CIVIL ENGINEER DATE

65% SUBMITTAL

PLANS APPROVAL DATE

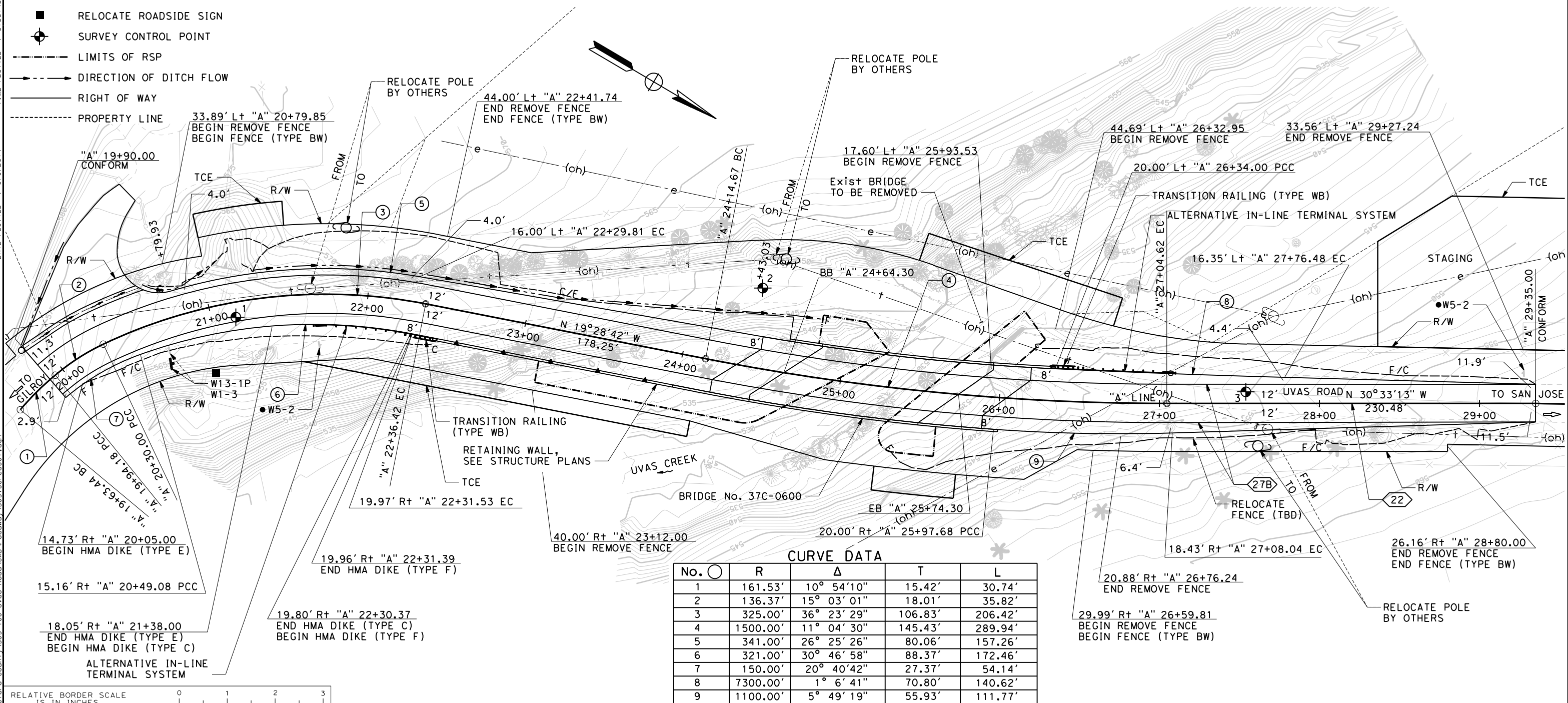
THE COUNTY OR ITS OFFICERS OR AGENTS SHALL NOT BE RESPONSIBLE FOR THE ACCURACY OR COMPLETENESS OF SCANNED COPIES OF THIS PLAN SHEET.

QUINCY ENGINEERING

11017 COBBLEROCK DRIVE, SUITE 100, RANCHO CORDOVA, CA 95670 P: 916.368.9181

REGISTERED PROFESSIONAL ENGINEER
 Carolyn D. Davis
 No. 58440
 Exp. 12/31/14
 CIVIL
 STATE OF CALIFORNIA

DATE PLOTTED => 9/9/2014
 TIME PLOTTED => 8:38:43 AM
 FILE => S:\Client\Santa Clara County\100 Uvas Road\CAD\Roadway\505100\rec001.dgn



CURVE DATA				
No.	R	Δ	T	L
1	161.53'	10° 54' 10"	15.42'	30.74'
2	136.37'	15° 03' 01"	18.01'	35.82'
3	325.00'	36° 23' 29"	106.83'	206.42'
4	1500.00'	11° 04' 30"	145.43'	289.94'
5	341.00'	26° 25' 26"	80.06'	157.26'
6	321.00'	30° 46' 58"	88.37'	172.46'
7	150.00'	20° 40' 42"	27.37'	54.14'
8	7300.00'	1° 6' 41"	70.80'	140.62'
9	1100.00'	5° 49' 19"	55.93'	111.77'



NO.	REVISIONS	BY	DATE	APP'D
02	REV 65% SUBMITTAL	KP	8/14	CD
01	65% SUBMITTAL	KP	10/12	CD



COUNTY OF SANTA CLARA ROADS AND AIRPORTS DEPARTMENT

DESIGNED: K. Panayotov 8/2014
 DRAWN: R. Romeriz 8/2014
 CHECKED: C. Davis 8/2014

SUBMITTED: _____
 APPROVED: _____

REGISTERED PROFESSIONAL ENGINEER
 Solomon Tegegne
 No. XXXXX
 Exp. XX/XX/14
 CIVIL
 STATE OF CALIFORNIA

REGISTERED PROFESSIONAL ENGINEER
 Gamin Rajapakse
 No. C52717
 Exp. 12/31/14
 CIVIL
 STATE OF CALIFORNIA

REPLACEMENT OF UVAS CREEK BRIDGE
 UVAS ROAD (Br No. 37C0600)

LAYOUT

DRIVING No. L-1

SHT No. 3 OF 12

Scale 1" = 30'

PCA: C4328
 ADVERTISEMENT DATE: XXX, 20XX
 CONTRACT No. XXXXXXX
 FILE No. XXXXXXX

DATE PLOTTED => 8/18/2014 8:47:50 AM
 FILE => S:\Client\Santa Clara County\505-100 Uvas Road\CAD\Roadway\505100r-fb001.dgn

Dist	COUNTY	ROUTE	POST MILES TOTAL PROJECT	SHEET No.	TOTAL SHEETS
04	SCI	C.R.		4	26

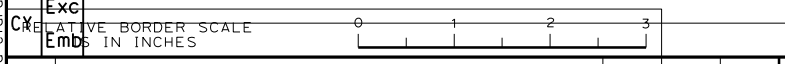
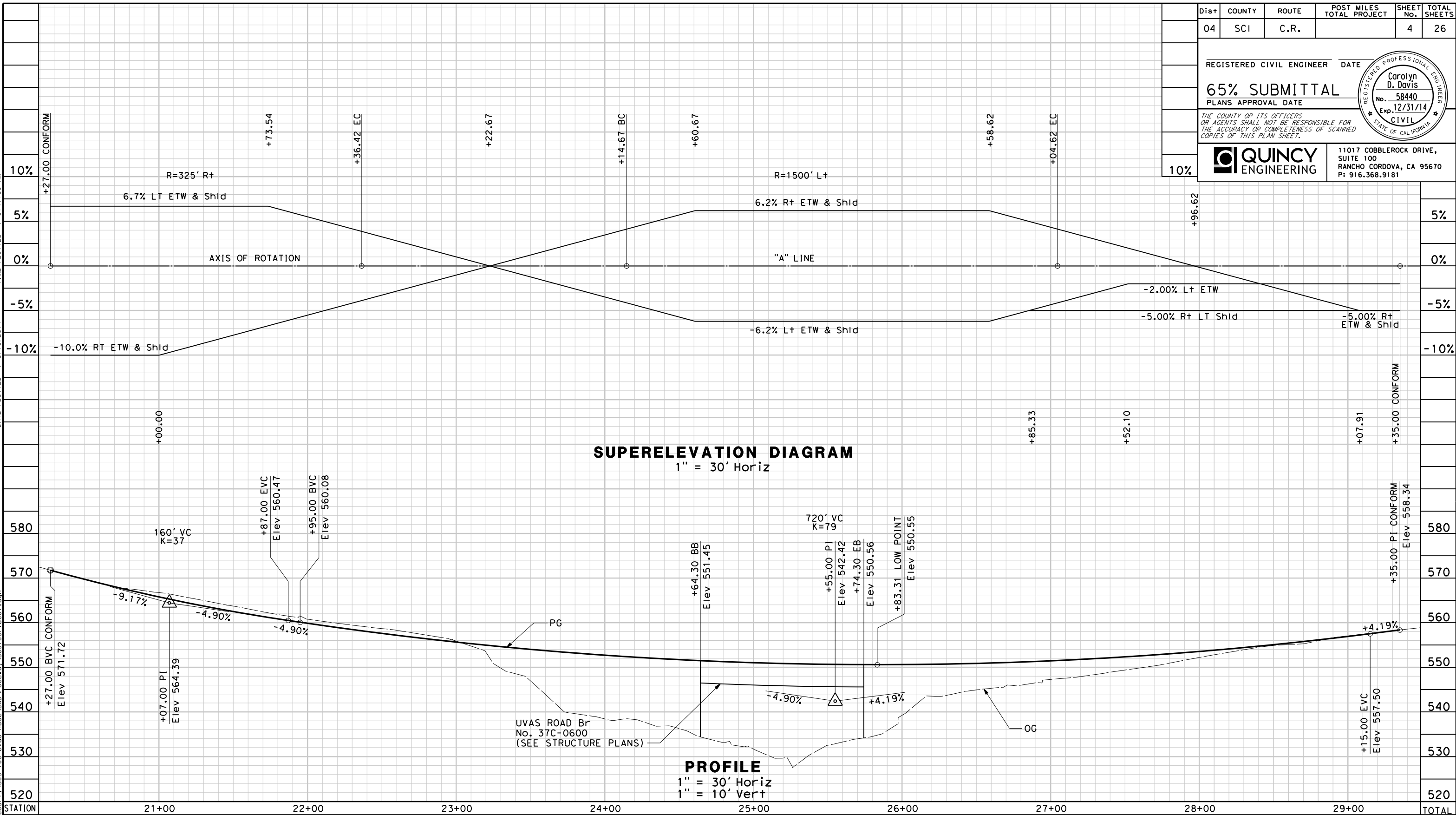
REGISTERED CIVIL ENGINEER DATE

65% SUBMITTAL
 PLANS APPROVAL DATE

THE COUNTY OR ITS OFFICERS OR AGENTS SHALL NOT BE RESPONSIBLE FOR THE ACCURACY OR COMPLETENESS OF SCANNED COPIES OF THIS PLAN SHEET.

QUINCY ENGINEERING
 11017 COBBLEROCK DRIVE, SUITE 100, RANCHO CORDOVA, CA 95670, P: 916.368.9181

REGISTERED PROFESSIONAL ENGINEER
 Carolyn D. Davis
 No. 58440
 Exp. 12/31/14
 CIVIL
 STATE OF CALIFORNIA



NO.	REVISIONS	BY	DATE	APP'D
02	REV 65% SUBMITTAL	KP	8/14	CD
01	65% SUBMITTAL	KP	10/12	CD



COUNTY OF SANTA CLARA ROADS AND AIRPORTS DEPARTMENT

DESIGNED: K. Panayotov 8/2014
 DRAWN: R. Rameriz 8/2014
 CHECKED: C. Davis 8/2014

SUBMITTED: _____

APPROVED: _____

Solomon Tegegne
 No. XXXXX
 Exp. XX/XX/14
 CIVIL
 STATE OF CALIFORNIA

Gomini Rajapakse
 No. C52717
 Exp. 12/31/14
 CIVIL
 STATE OF CALIFORNIA

REPLACEMENT OF UVAS CREEK BRIDGE
 UVAS ROAD (Br No. 37C0600)

PROFILE & SUPERELEVATION DIAGRAM

DRAWING No. **PS-1**

SHT No. 4 OF 12

Scale: AS SHOWN

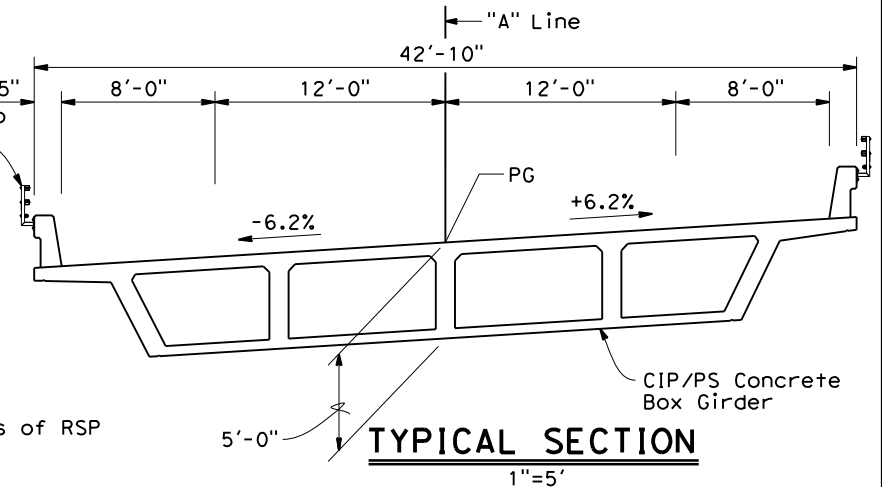
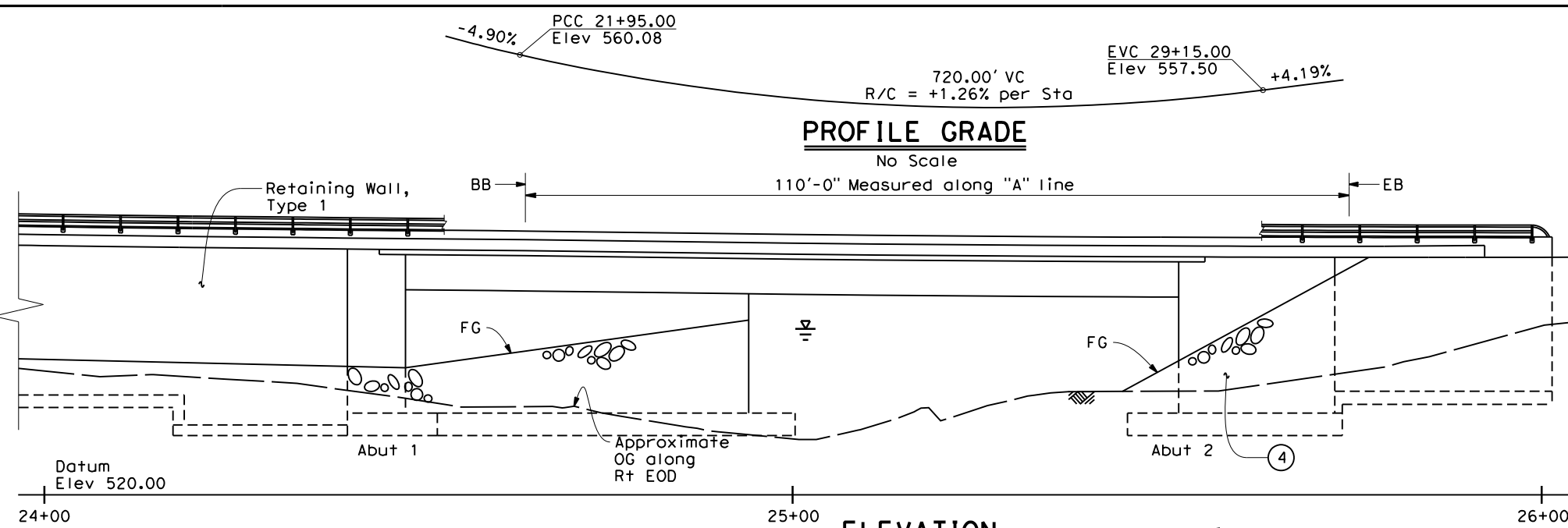
PCA: C4328
 ADVERTISEMENT DATE: XXX, 20XX
 CONTRACT No. XXXXXXXX
 FILE No. XXXXXXXX

Dist	COUNTY	ROUTE	POST MILES TOTAL PROJECT	SHEET No.	TOTAL SHEETS
04	SCI	C.R.		13	26

65% SUBMITTAL
 REGISTERED CIVIL ENGINEER DATE _____
 Registered Professional Engineer
 Danny Mossman
 No. 70850
 Exp. 06/30/14
 CIVIL
 STATE OF CALIFORNIA

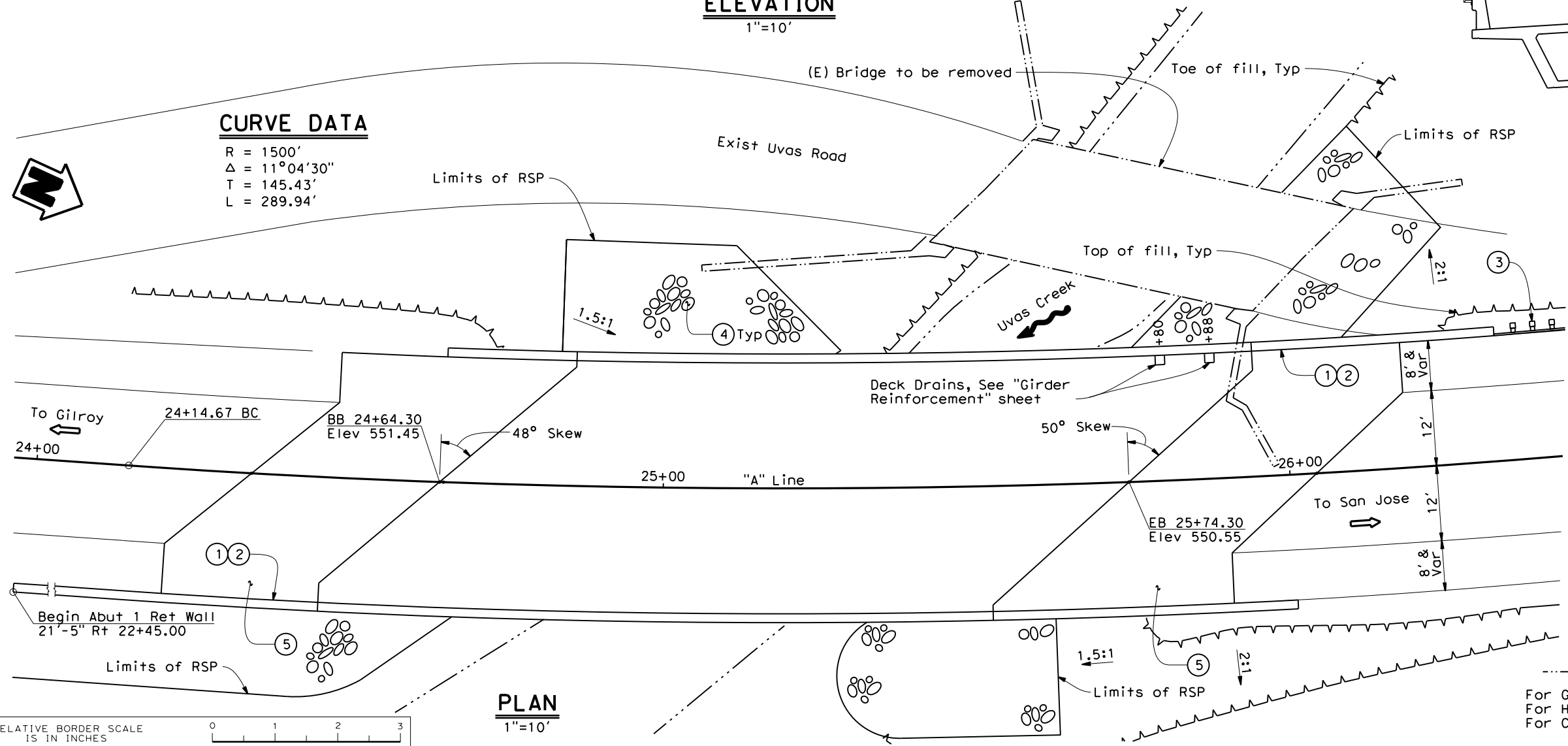
PLANS APPROVAL DATE _____
 THE COUNTY OR ITS OFFICERS OR AGENTS SHALL NOT BE RESPONSIBLE FOR THE ACCURACY OR COMPLETENESS OF SCANNED COPIES OF THIS PLAN SHEET.
QUINCY ENGINEERING
 11017 COBBLEROCK DRIVE, SUITE 100
 RANCHO CORDOVA, CA 95670
 P: 916.368.9181

PROFILE GRADE
 No Scale



CURVE DATA

R = 1500'
 $\Delta = 11^\circ 04' 30''$
 T = 145.43'
 L = 289.94'



INDEX TO PLANS

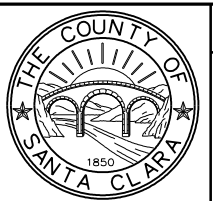
Sheet No.	Title
1	General Plan
2	Deck Contours
3	Foundation Plan
4	Abutment 1 Layout
5	Abutment 2 Layout
6	Abutment Details No. 1
7	Abutment Details No. 2
8	Retaining Wall A1 Right
9	Typical Section
10	Girder Layout
11	Girder Reinforcement
12	Structure Approach Type N(30S)
13	Structure Approach Drainage Details
14	Log of Test Borings

- Notes:
- ① Paint Bridge "Br No. 37C0600" and year built
 - ② Paint "Uvas Creek Bridge"
 - ③ MBGR see "Road Plans"
 - ④ RSP see "Road Plans"
 - ⑤ Structure Approach Type N(30S)
 - Highwater elevation
 - Existing

For General Notes and Quantities, see "Deck Contours" sheet
 For Hydrologic Summary, see "Foundation Plan" sheet
 For Contour Grading, see "Road Plans"

DATE PLOTTED => 12:39:04 PM
 DATE PLOTTED => 8/18/2014
 FILE => S:\Client\Santa Clara County\S05-100 Uvas Road\CAD\Br\daes\S05100a-g-qp01.dgn

NO.	REVISIONS	BY	DATE	APP'D
02	Rev 65% Submittal	RR	8/14	MO
01	65% Submittal	RR	10/12	MO



COUNTY OF SANTA CLARA ROADS AND AIRPORTS DEPARTMENT

DESIGNED: D. Mossman X/2012
 DRAWN: R. Ramirez X/2012
 CHECKED: X. XXXXXX X/2012

SUBMITTED: _____
 APPROVED: _____

Solomon Tegegne
 No. XXXXX
 Exp. XX/XX/14
 CIVIL
 STATE OF CALIFORNIA

Gamini Rajapakse
 No. C52717
 Exp. 12/31/14
 CIVIL
 STATE OF CALIFORNIA

REPLACEMENT OF UVAS CREEK BRIDGE
 UVAS ROAD (Br No. 37C0600)

GENERAL PLAN

PCA C4328 ADVERTISEMENT DATE: XXX, 20XX CONTRACT No. XXXXXXXX FILE No. XXXXXXXX

DRAWING No. S-1
 SHT No. 1 OF 14
 Scale AS SHOWN