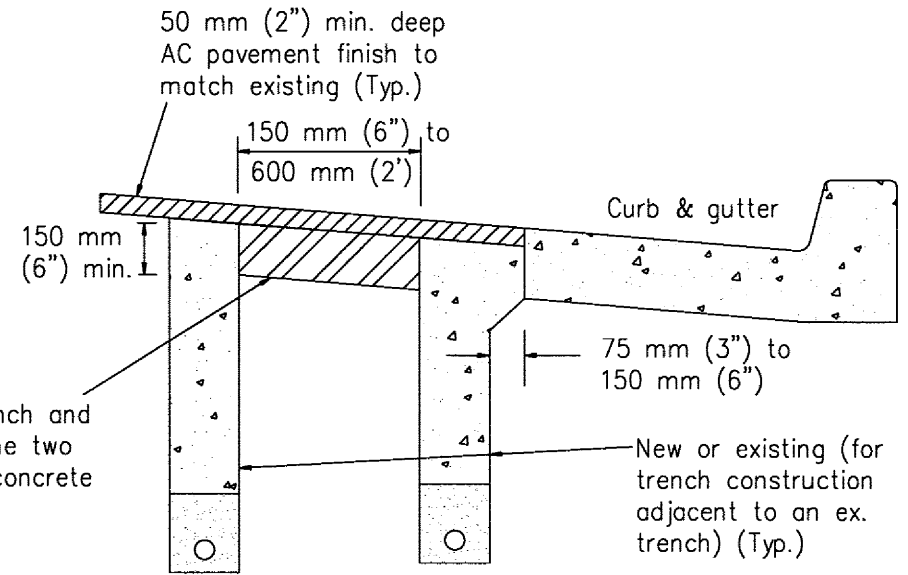


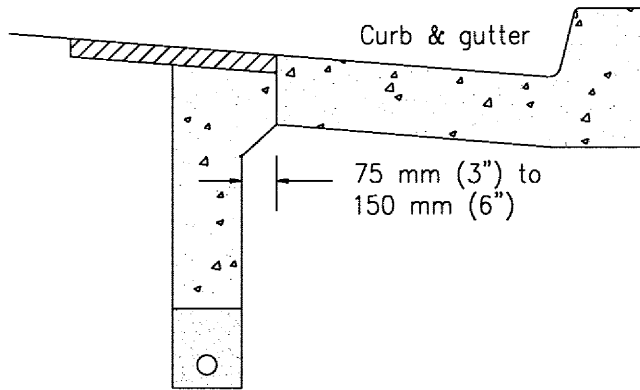
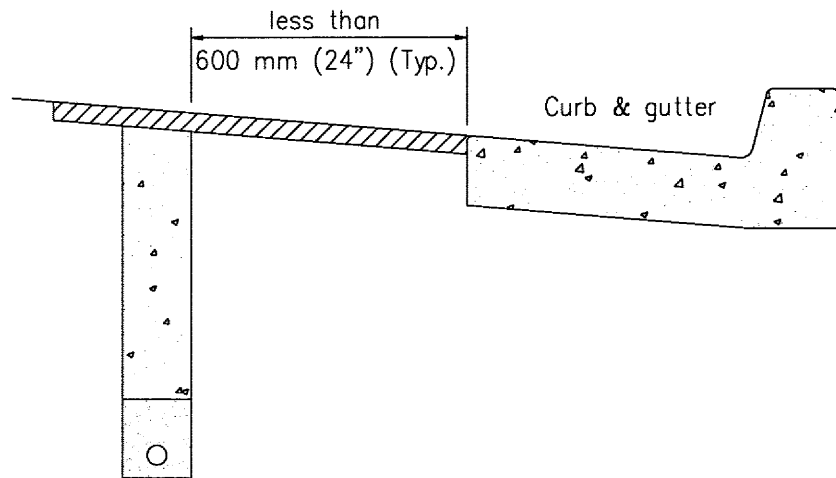
DETAIL 1
(See note 1)



DETAIL 2

Backfill the new trench and the area between the two trenches with lean concrete base. (See note 2)

New or existing (for trench construction adjacent to an ex. trench) (Typ.)



SPECIAL CASES
(See note 1)

NOTES :

1. Slurry cement backfill shall conform to Section 19 of Caltrans Standard Specifications.
2. Lean concrete base shall conform to Section 28 of Caltrans Standard Specifications.
3. See Detail U/3 for trench wider than 150 mm (6").

METRIC (& ENGLISH) UNITS

NO.	REVISIONS	BY	DATE	APP'D



SANTA CLARA COUNTY ROADS AND AIRPORTS DEPARTMENT

VAP 09/25/97
DESIGNED STQ 09/25/97
DRAWN VAP/TH 9/25/97
CHECKED

DATE DATE DATE DATE DATE

WORK ORDER
LEVEL BOOK
TRANSIT BOOK

SUBMITTED: *J. Lundal*
APPROVAL: *Robb Parsons*

REGISTERED PROFESSIONAL ENGINEER
JAMES R. RANDALL
No. C19515
Exp. 9-30-01
CIVIL
STATE OF CALIFORNIA

REGISTERED PROFESSIONAL ENGINEER
ROBLO B. PARSONS
No. C17390
Exp. 9-30-99
CIVIL
STATE OF CALIFORNIA

STANDARD DETAILS
SPECIAL UTILITY TRENCH DETAILS
150 mm (6") MAX. TRENCH WIDTH

PROJECT NO. CONTRACT NO. FILE NO.

DRAWING NO. U 4
SHEET NO. 1 OF 1