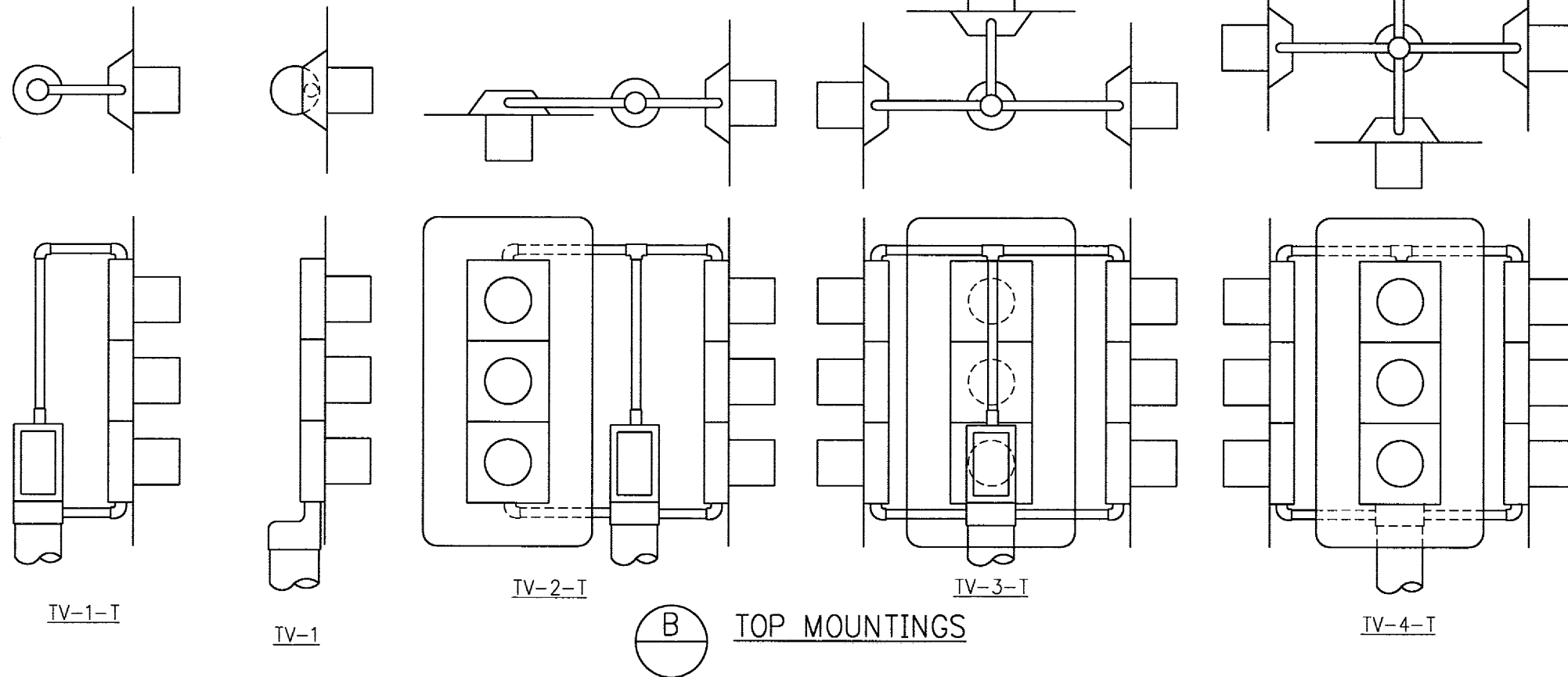


(A) SIDE MOUNTINGS



(B) TOP MOUNTINGS

NOTES :

- 1) MOUNTINGS SHALL BE ORIENTED TO PROVIDE MAXIMUM HORIZONTAL CLEARANCE TO ADJACENT ROADWAY.
- 2) FRAMEWORK ELEMENTS SHALL BE OF SUFFICIENT LENGTH FOR CLEARANCE BETWEEN BACKPLATES, BETWEEN BACKPLATES AND POLE SHAFT FOR FIELD ADJUSTMENT OF SIGNAL HEADS UPON INSTALLATION.
- 3) SEE STATE STANDARD PLANS ES-3D AND ES-3E FOR ATTACHMENT FITTINGS DETAILS.
- 4) SEE STANDARD DETAIL E/6A FOR MOUNTING HEIGHT.
- 5) BACKPLATE AND VISOR SHALL BE REQUIRED FOR ALL SIGNAL HEADS PER STATE STANDARD PLAN ES-3C.

ABBREVIATIONS

- TV Top mounted vehicular signals
- SV Side mounted vehicular signals
- T Terminal compartment
- 1,2,3,4 Number of signal heads
(3-section unless indicated otherwise)

METRIC (& ENGLISH) UNITS

NO.	REVISIONS	BY	DATE	APP'D

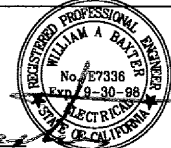


SANTA CLARA COUNTY ROADS AND AIRPORTS DEPARTMENT

DESIGNED: TH 04/15/97
 DATE: 04/15/97
 DRAWN: STQ 04/15/97
 DATE: 04/15/97
 CHECKED: TH 04/15/97
 DATE: 04/15/97

WORK ORDER
 LEVEL BOOK
 TRANSIT BOOK

SUBMITTED: *William A. Baxley*
 APPROVAL: *Rollo B. Parsons*



STANDARD DETAILS
 TRAFFIC SIGNAL HEAD MOUNTINGS

PROJECT NO. _____ CONTRACT NO. _____ FILE NO. _____

DRAWING NO. E
 3A
 SHEET NO. 1 OF 1