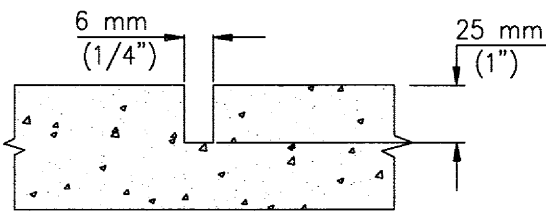
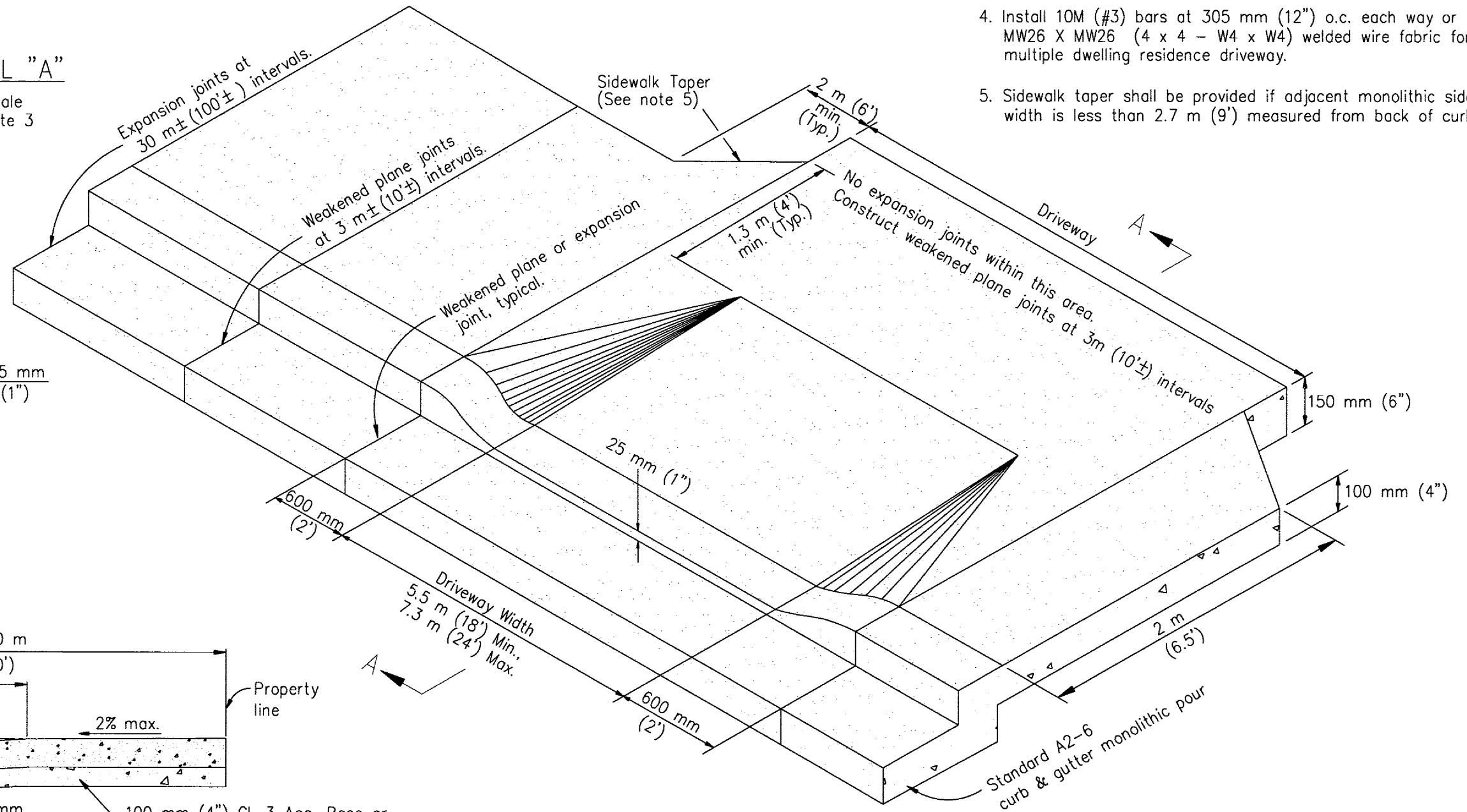


DETAIL "A"

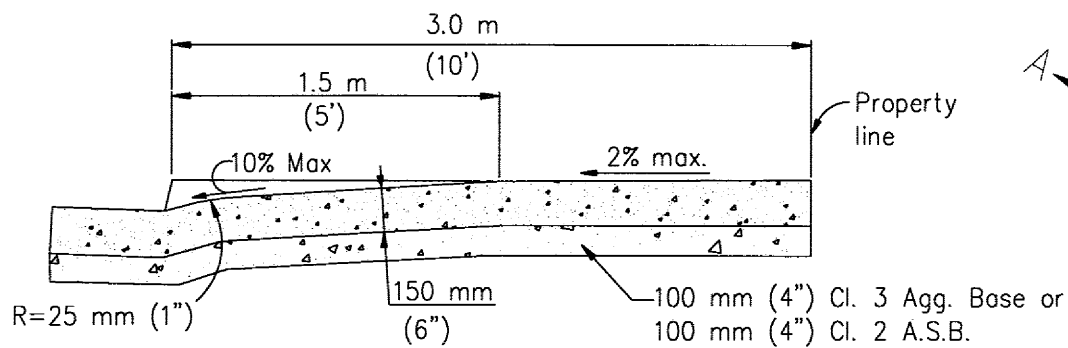
No Scale  
See Note 3

NOTES:

1. Driveways shall be 150 mm (6") class B P.C.C.
2. Sidewalk shall be 100 mm (4") class B P.C.C.
3. If gutter & driveway are placed separately, construct 50 mm x 50 mm (2" x 2") key joint.
4. Install 10M (#3) bars at 305 mm (12") o.c. each way or MW26 X MW26 (4 x 4 - W4 x W4) welded wire fabric for multiple dwelling residence driveway.
5. Sidewalk taper shall be provided if adjacent monolithic sidewalk width is less than 2.7 m (9') measured from back of curb.



WEAKENED PLANE JOINT DETAIL



SECTION A-A

No Scale

METRIC (& ENGLISH) UNITS

NO.	REVISIONS	BY	DATE	APP'D



SANTA CLARA COUNTY ROADS AND AIRPORTS DEPARTMENT

DESIGNED: VAP 09/25/97  
DATE: RN 09/25/97  
DRAWN: VAP/TH 9/25/97  
CHECKED:  

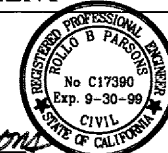
WORK ORDER:    
LEVEL BOOK:    
TRANSIT BOOK:  

SUBMITTED:  

*J. Landau*

APPROVAL:  

*Rollo Parsons*



STANDARD DETAILS  
URBAN RESIDENTIAL DRIVEWAY APPROACH  
AND MONOLITHIC SIDEWALK

PROJECT NO.  

CONTRACT NO.  

FILE NO.  

DRAWING NO. B  
3  
SHEET NO. 1 of 1