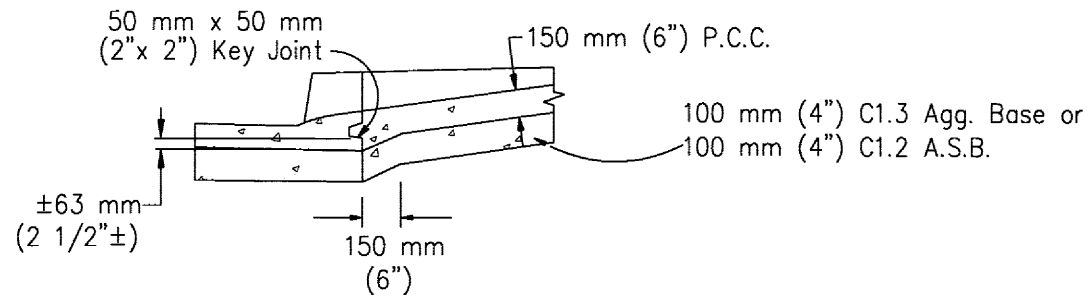
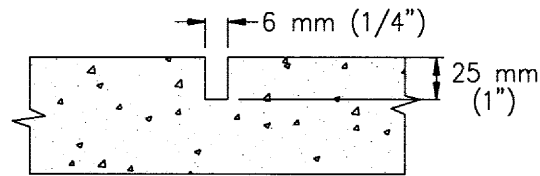


NOTES:

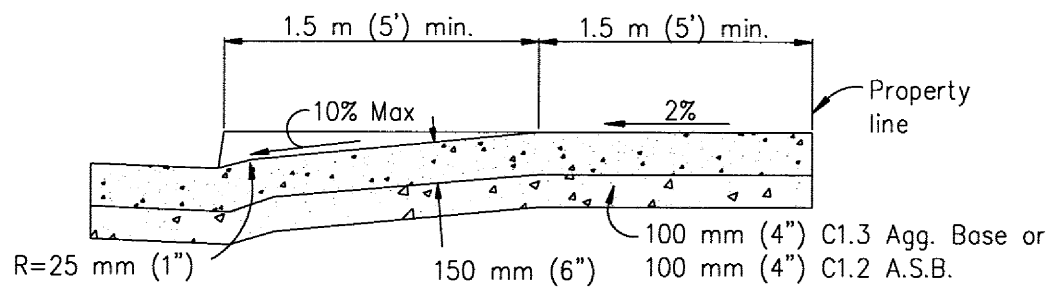
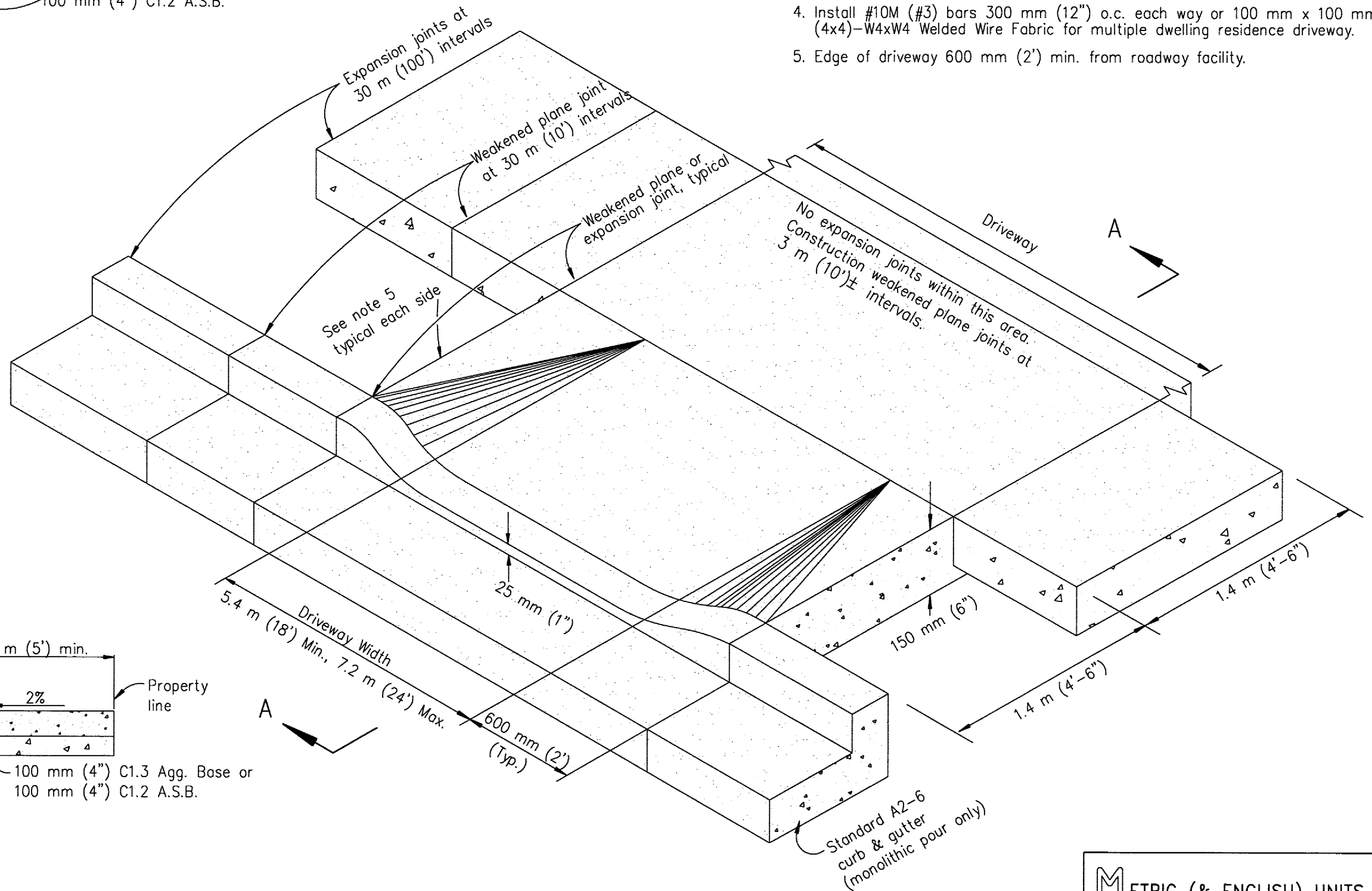
1. Driveways shall be 150 mm (6") class B P.C.C.
2. Sidewalk shall be 100 mm (4") class B P.C.C.
3. If gutter & driveway are placed separately, construct 50 mm x 50 mm (2" x 2") key joint per Detail "A."
4. Install #10M (#3) bars 300 mm (12") o.c. each way or 100 mm x 100 mm (4x4)-W4xW4 Welded Wire Fabric for multiple dwelling residence driveway.
5. Edge of driveway 600 mm (2') min. from roadway facility.



DETAIL "A"
No Scale
See Note 3



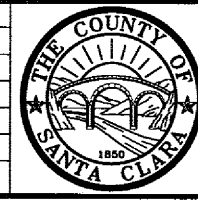
WEAKENED PLANE JOINT DETAIL



SECTION A-A
No Scale

METRIC (& ENGLISH) UNITS

NO.	REVISIONS	BY	DATE	APP'D



SANTA CLARA COUNTY ROADS AND AIRPORTS DEPARTMENT

DESIGNED: VAP 09/25/97
 DATE: 09/25/97
 DRAWN: VAP/TH 9/25/97
 CHECKED:

WORK ORDER:
 LEVEL BOOK:
 TRANSIT BOOK:

SUBMITTED:

APPROVAL:

REGISTERED PROFESSIONAL ENGINEER
 JAMES R. RANDALL
 No. C19515
 Exp. 9-30-01
 CIVIL
 STATE OF CALIFORNIA

REGISTERED PROFESSIONAL ENGINEER
 ROBERT B. PARSONS
 No. C17380
 Exp. 9-30-99
 CIVIL
 STATE OF CALIFORNIA

STANDARD DETAILS
 URBAN RESIDENTIAL DRIVEWAY
 AND DETACHED SIDEWALK

PROJECT NO.

CONTRACT NO.

FILE NO.

DRAWING NO. B
 SHEET NO. 2
 1 OF 1